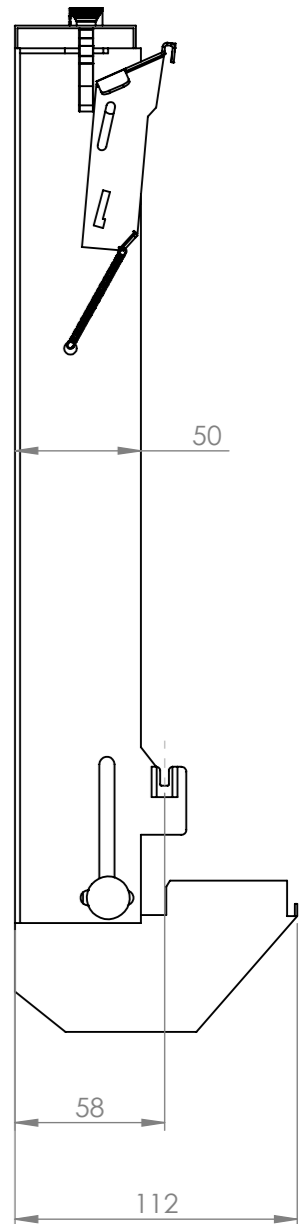
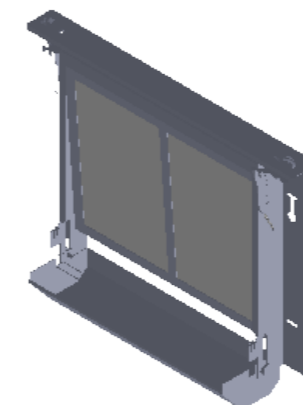


SECTION A-A  
SCALE 1 : 3



## Oxygen H300/21

2022.03.23

LCD Invent AB

info@lcdinvent.se