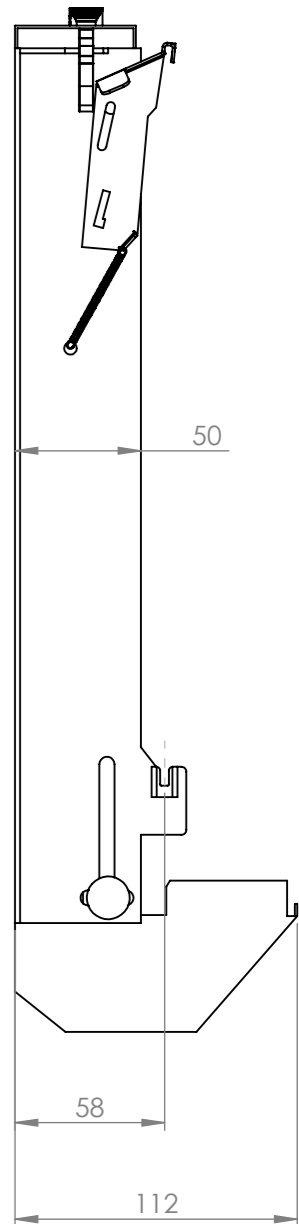
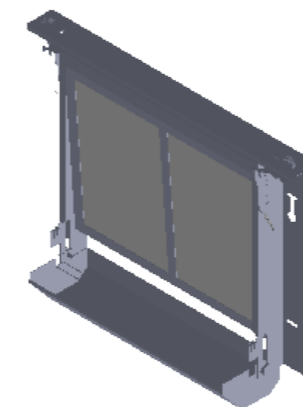


SECTION A-A
SCALE 1 : 3



Oxygen H400/21

2022.03.23

LCD Invent AB

info@lcdinvent.se